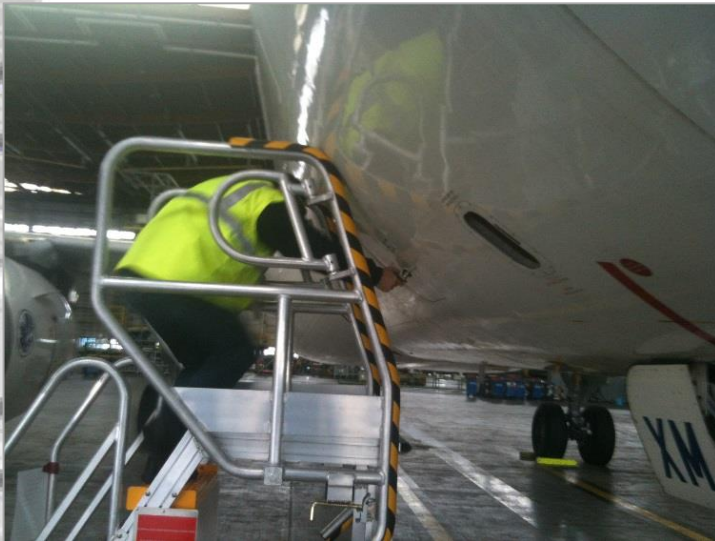


# Technical stepladder for A320 electrical cargo bay access



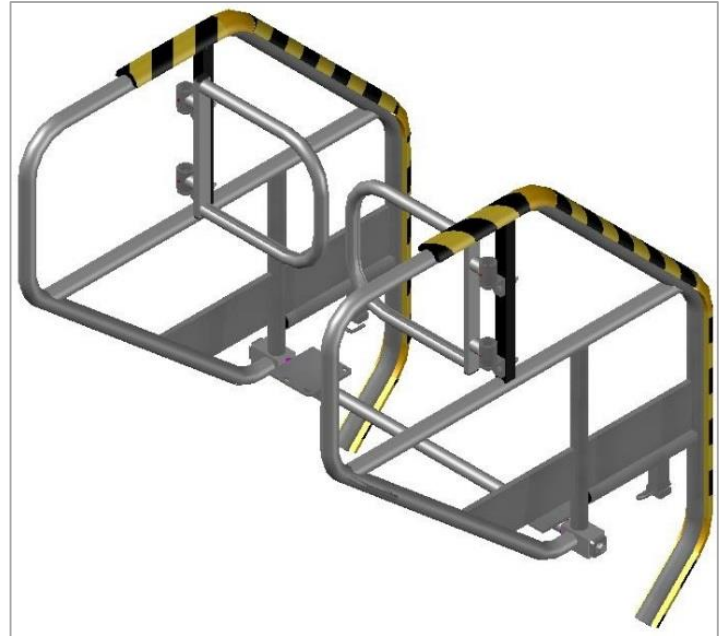
Technical stepladder with fold-down guardrails.



## 5 steps stepladder for runway or hangar:

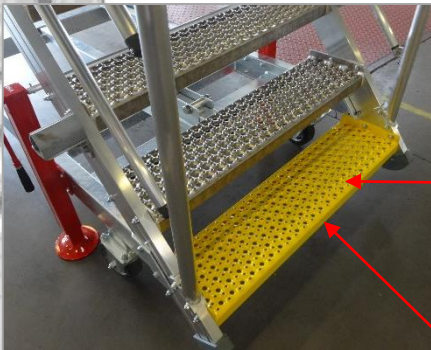
- Galvanised steel frame
- Raw aluminum main structure
- Platform height: 1 500 mm
- Usefull width: 650 mm
- Sliding guardrails Ø 40 mm, handrails designed to conform perfectly the plane shape – yellow/black foam protection
- Load capacity: 1 people – 150 kg
- Standard 12312-8

# Technical stepladder for A320 electrical cargo bay access

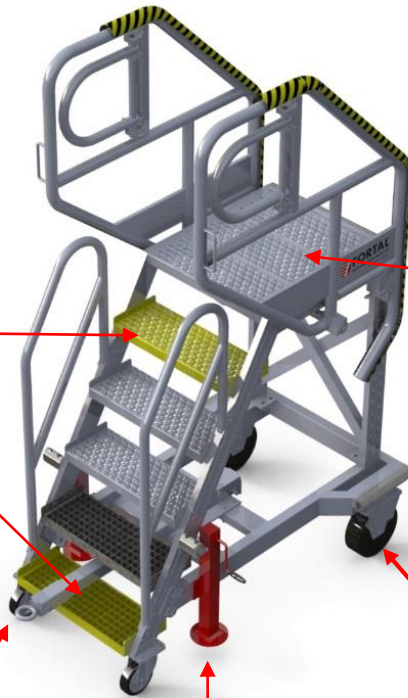


View on sliding guardrail system

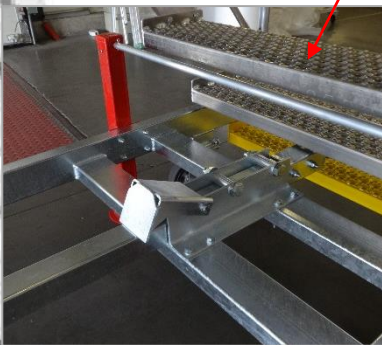
Grating steps  
First and last  
yellow lacquered



Grating platform coating  
Size: 770 x 700 mm  
View on guardrails locking system



Wheels Ø 260 mm – fixed at  
front – swivel at rear



Steel fold-down drawbar  
(rear view)



Twin outriggers with drop-  
down handles

